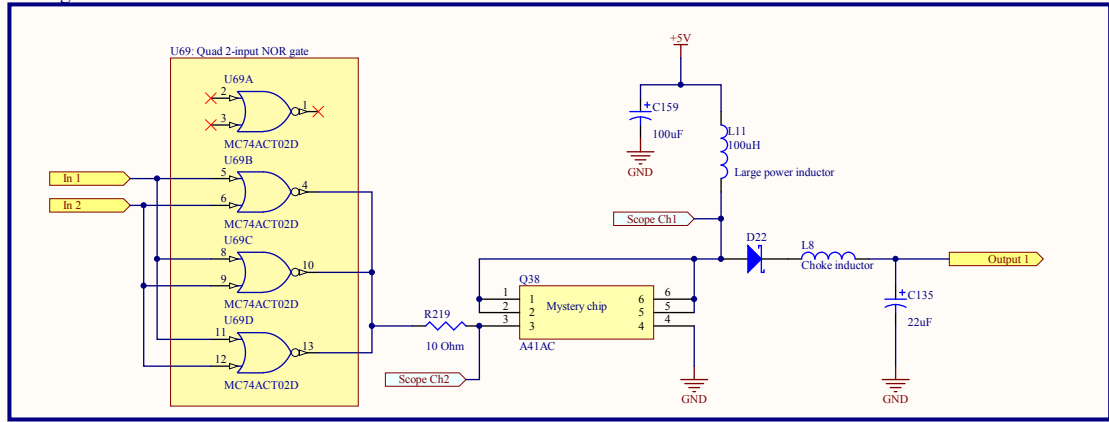
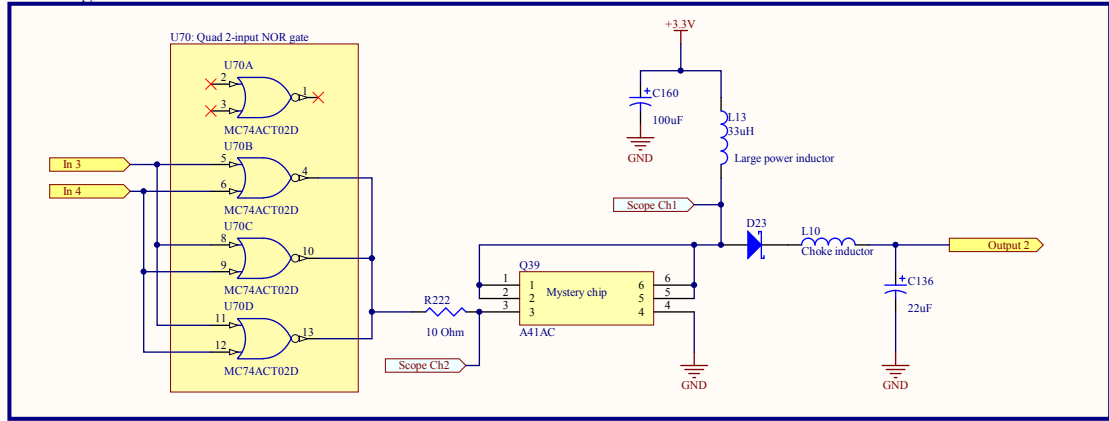


Damaged circuit



Undamaged circuit



Title		
Size	Number	Revision
B		
Date:	9/5/2014	Sheet of
File:	C:\Projects\UNI DAQ circuit SchDoc	Drawn By: